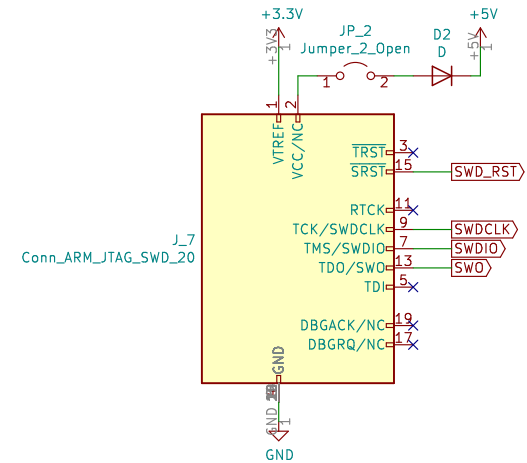
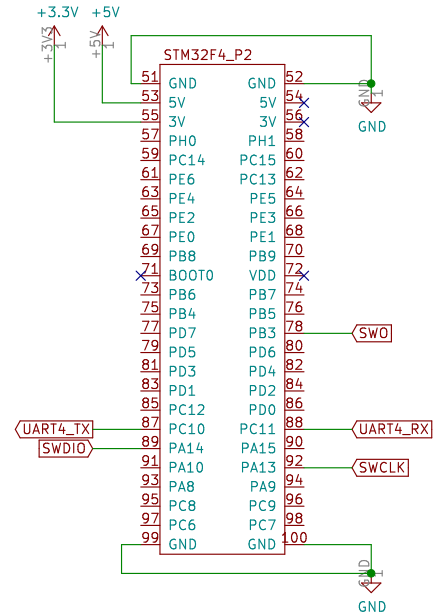


U_TARGET
STM32F4DISCOVERY



EVRiCa – STM32F4DISCOVERY Robot Arm Debugging Solution
Inscape Inc. Shingo Aoyagi – 2019/02/28

Sheet: /
File: stm32f4.sch

Title:

Size: A4

Date:

Rev:

KiCad E.D.A. kicad (5.0.2)-1

Id: 1/1